



FIXTURE SPECIFICATIONS

INTENDED USE

The **Pavo LED Architectural Surface Mount Down Light** is a versatile low glare lighting fixture that can be used indoor and outdoor, up or down, in commercial or retail settings. The Pavo is used to accent and create dramatic effects while providing a great source of lighting from above.

FEATURES

- Construction:** Round One Piece High Grade Aluminum Extrusion with Die Cast Aluminum Top Plate
Tamper Resistant
- Adjustable Option:** 25° Rotation
- Light Engine:** LED Chip-On-Board
- Lens:** Round One Piece Extruded Aluminum with Powder Coat Finish, Clear, Tempered Glass and Silicone O-Ring
- Reflector:** Glare-Free, One piece, Heavy Gauge Aluminum
- Mounting:** Includes Bracket for Installation Directly to a 3-1/2" or 4" octagonal electrical junction-box
- Voltage:** 120 (120-277 Available for Dimming)
- CRI:** 84+
- Dimming:** Universal Dimming System Compatible with Most 3-Wire ELV, 2-Wire Incandescent and 5-Wire 0-10V Fluorescent Dimmers
- Life:** L70 - 50,000 Hours
- Optional Emergency Backup:** 90 Minutes Minimum. Features Remote Test Switch, Plate Cover, Junction Box
- Listing:** ETL/cETL Listed
Suitable for Wet Location



ORDERING INFORMATION Example: (1 1236-DIR-15W-WF60-UNI-40K-WH-EM)

Model	Lumen Output	Beam Spread	Dimming	Color Temperature	Finish	Options
11236 Pavo-Round View Product	DIRECT DOWN LIGHT DIR-15W 15 watts 1000 lms DIR-22W15 22 watts 1500 lms DIR-22W22 22 watts 2200 lms DIR-30W 30 watts 2600 lms	PE2² 2° Pencil NS10² 10° Narrow Spot SP20² 20° Spot FL45 45° Flood WF60 60° Wide Flood	ND Non-Dimming (120V) UNI Universal (Triac / ELV / 0-10V)	27K³ 2700K 30K 3000K 35K³ 3500K 40K 4000K 50K³ 5000K 56K^{3,4} 5600K TF⁵ 590nm Amber (Turtle Friendly) View Product	WH White BK Black SL Silver	EM Remote Emergency Backup Battery
11224 Pavo-Square View Product	ADJUSTABLE ADJ-9W¹ 9 watts 700 lms View Product	WW² Wall Wash				

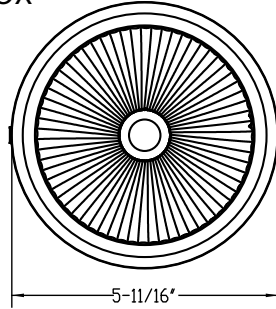
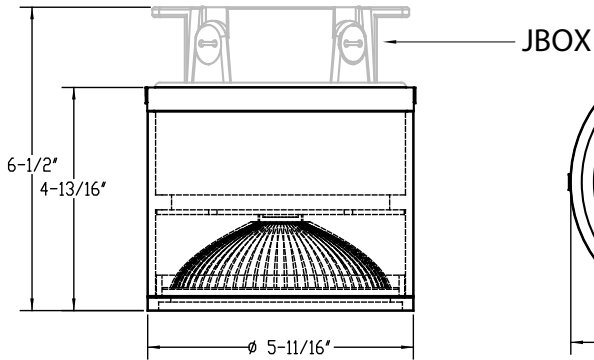
¹Only Available for Pavo-Round.

²Not Available for Adjustable Models. ³Special Order. Minimum lead time may apply.

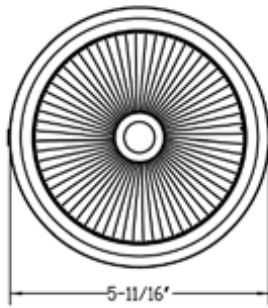
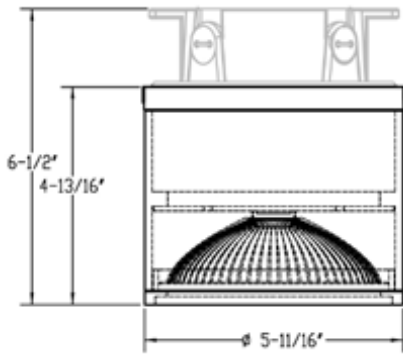
⁴Minimum Order Required (25).

⁵Only Available for Pavo-Square

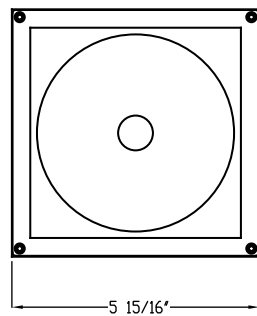
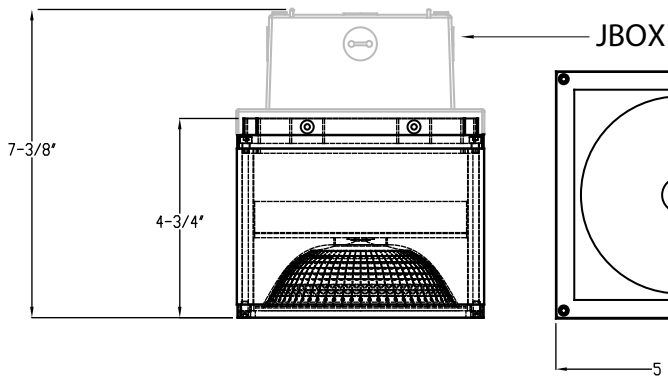
Round - Direct



Round - Adjustable



Square - Direct

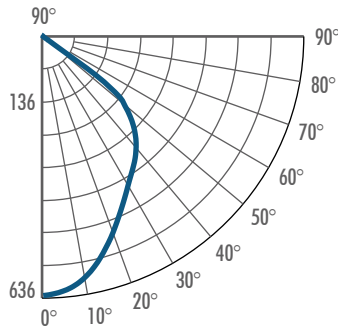


PHOTOMETRY: 1000lm - Wide Flood - 4000K

LUMEN PACKAGE :	1000lm	1500lm	2200lm	2600lm
SYSTEM POWER :	15W	22W	22W	30W

System Power	:15.1W	Multipliers	
Test Date	:9/2016	5600K	1.43
Beam Angle 50%	:92.6°	5000K	1.28
Field Angle 10%	:111.1°	3500K	0.90
Color Temperature	:3903K	3000K	0.77
CRI	:84.0	2700K	0.69
R9 Value	:21.0	2500K	0.64
Lumens Delivered	:1113lm	1700K	0.44
CBCP	:636cd	Lumen Multipliers	
Power Factor	:0.99	1500lm	1.35
		2200lm	1.98
		2600lm	2.34
		CRI	
		80 CRI (Blank)	:0.9 5
		90 CRI (-C90)	:1.0 7
		97 CRI (-C97)	:1.1 5

CANDELA TABULATION



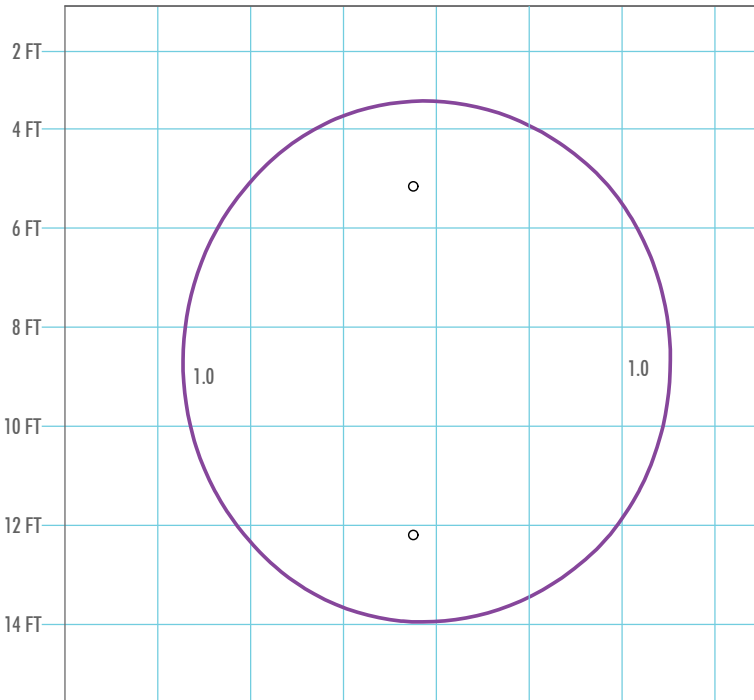
FOOTCANDLE DISTRIBUTION

Height	Beam Diameter	FC
6.0'	12.6'	17.7
8.0'	16.7'	9.9
10.0'	20.9'	6.4
12.0'	25.1'	4.4
14.0'	29.3'	3.2

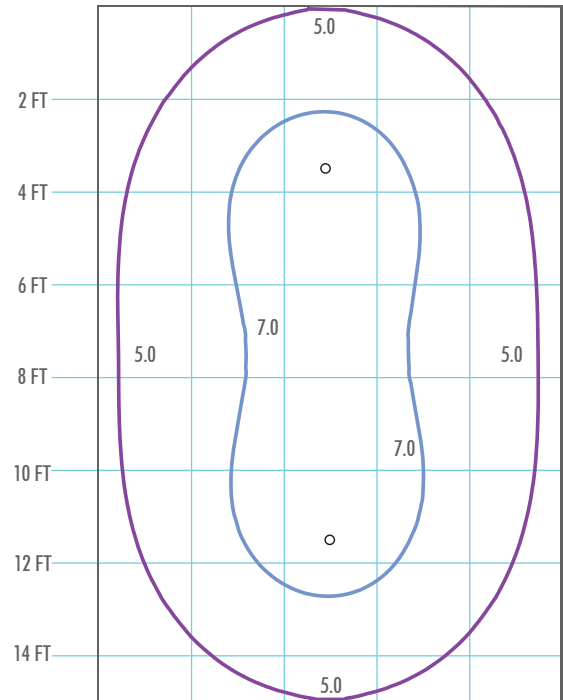
ISO FOOTCANDLE PLOTS | Two Fixture

32 Ft Mtg Ht. 8 Ft O.C. Spacing

10 Ft Mtg Ht. 8 Ft O.C. Spacing



1 Grid = 2 FT
15 FT x 15 FT Surface Area to achieve (Avg) 1.0 FC
80% Reflectance Value on Ceiling
20% Reflectance Value on Surface



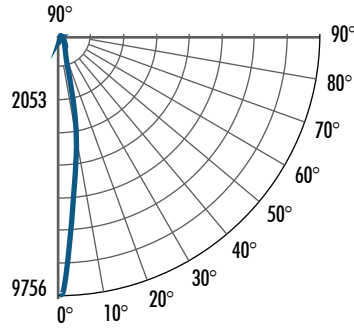
1 Grid = 2 FT
10 FT x 15 FT Surface Area to achieve (Avg) 5.9 FC
80% Reflectance Value on Ceiling
20% Reflectance Value on Surface

PHOTOMETRY: 1000lm - Narrow Spot - 4000K

LUMEN PACKAGE :	1000lm	1500lm	2200lm	2600lm
SYSTEM POWER :	15W	22W	22W	30W

System Power	:15.3W	Multipliers	
Test Date	:5/2017	5600K	1.39
Beam Angle 50%	:12.6°	5000K	1.25
Field Angle 10%	:28.9°	3500K	0.87
Color Temperature	:4016K	3000K	0.75
CRI	:85.3	2700K	0.67
R9 Value	:26.6	2500K	0.62
Lumens Delivered	:1038lm	1700K	0.42
CBCP	:10651cd	Lumen Multipliers	
Power Factor	:0.99	1500lm	1.45
		2200lm	2.12
		2600lm	2.50
		CRI	
		80 CRI (Blank)	:0.9 4
		90 CRI (-C90)	:1.0 6
		97 CRI (-C97)	:1.1 4

CANDELA TABULATION



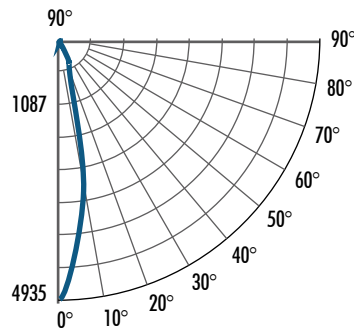
FOOTCANDLE DISTRIBUTION

Height	Beam Diameter	FC
3.3'	0.7'	906.4
6.6'	1.4'	226.6
9.8'	2.2'	100.7
13.1'	2.9'	56.6
16.4'	3.6'	36.6

PHOTOMETRY: 1000lm - Spot - 4000K

System Power	:15.3W	Multipliers	
Test Date	:5/2017	3500K	1.39
Beam Angle 50%	:21.5°	5000K	1.24
Field Angle 10%	:47.0°	3000K	0.87
Color Temperature	:4021K	2700K	0.75
CRI	:85.4	2500K	0.67
R9 Value	:27.4	1700K	0.42
Lumens Delivered	:1050lm	Lumen Multipliers	
CBCP	:5062cd	1500lm	1.43
Power Factor	:0.99	2200lm	2.10
		2600lm	2.48
		CRI	
		80 CRI (Blank)	:0.9 4
		90 CRI (-C90)	:1.0 5
		97 CRI (-C97)	:1.1 4

CANDELA TABULATION



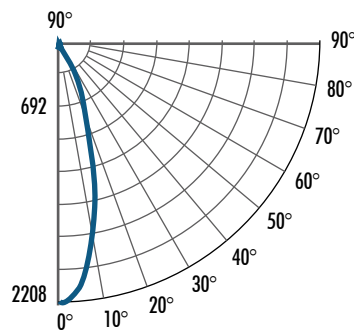
FOOTCANDLE DISTRIBUTION

Height	Beam Diameter	FC
3.3'	1.2'	458.5
6.6'	2.5'	114.6
9.8'	3.7'	50.9
13.1'	5.0'	28.7
16.4'	6.2'	18.3

PHOTOMETRY: 1000lm - Flood - 4000K

System Power	:15.2W	Multipliers	
Test Date	:5/2017	5600K	1.38
Beam Angle 50%	:34.9°	5000K	1.24
Field Angle 10%	:67.5°	3500K	0.86
Color Temperature	:4048K	3000K	0.74
CRI	:85.4	2700K	0.67
R9 Value	:26.8	2500K	0.62
Lumens Delivered	:980lm	1700K	0.42
CBCP	:2215cd	Lumen Multipliers	
Power Factor	:0.99	1500lm	1.53
		2200lm	2.24
		2600lm	2.65
		CRI	
		80 CRI (Blank)	:0.9 4
		90 CRI (-C90)	:1.0 5
		97 CRI (-C97)	:1.1 4

CANDELA TABULATION



FOOTCANDLE DISTRIBUTION

Height	Beam Diameter	FC
3.3'	2.1'	205.2
6.6'	4.1'	51.3
9.8'	6.2'	22.8
13.1'	8.3'	12.8
16.4'	10.3'	8.2

